

## AFTERCARE INSTRUCTIONS

Excessive exposure to water will leave water marks. Wipe away any water splashes or condensation after use.

All bathrooms should be well ventilated. We recommend the installation of a suitable extractor fan.

Clean with a soft damp cloth only. No abrasive cleaners or sponges.

Use a wax free polish if one must be used.

## CUSTOMER SERVICE

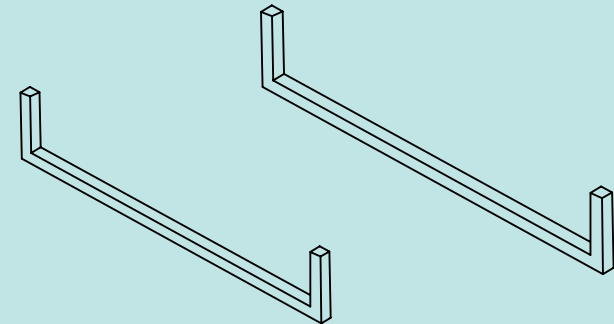
t: +44(0)208 686 5100  
e: [technical@saneux.com](mailto:technical@saneux.com)

Iain Stewart Centre, Beehive  
Ring Road, Gatwick, RH6 0PB

[www.saneux.com](http://www.saneux.com)

# MATTEO

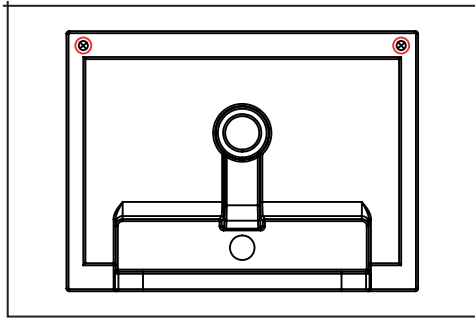
## INSTALLATION INSTRUCTIONS



MAT50R - MAT60R

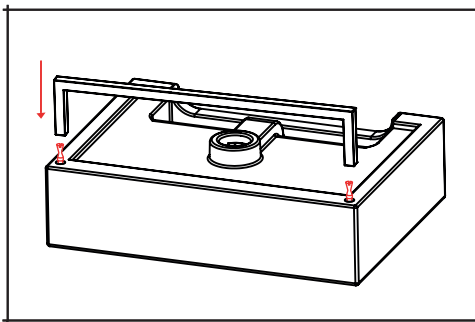
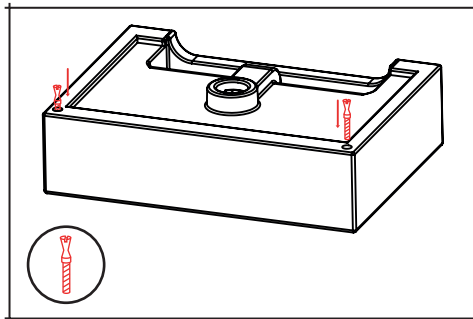
saneux

**IMPORTANT:** It is recommended that the towel rail is installed prior to installing the basin on to the wall. Place the basin upside down on a soft flat surface.



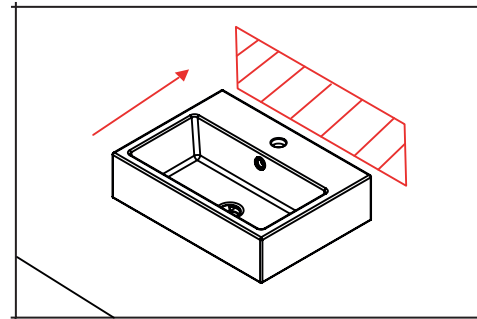
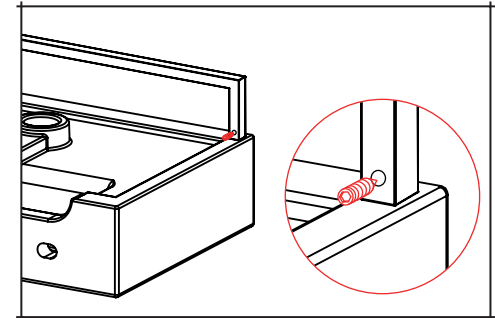
1. Remove the two bolts from the underside of the basin. Place the screws to one side\*.

2. Insert the two brass bolts with a tapered end shown in the diagram. Use a flathead screwdriver to tighten.



3. Locate the rail onto the brass bolts. Loosen the grub screws slightly with the hex key provided to ensure they do not obstruct the location of the bolts. Ensure the grub screw holes are facing inward towards the back of the basin.

4. With the towel rail flush with the underside of the basin, tighten the grub screws using the hex key provided.



5. Mount the basin to the wall at your desired height. Our suggested height would be between 800-850mm from the finished floor to the top of the basin.

**\*If when installing the brass bolts, they do not engage with the thread inside the basin follow the following process:**

With the basin upside down and on a flat surface. Preferably on a soft sheet to avoid damaging the basin.

Insert the silver bolts back in place, place a lever between the head of the bolt and the basin and lever downwards to raise the bolt.

It is advised to place something soft between the basin and crowbar to avoid damage.

The bolt needs to be raised by approx 4/5mm Insert the fixings that come with the Matteo towel rail. If the thread still does not engage, repeat the above steps.